

# Bulroc Stable-X 240RS

**Ground Stable Concentric Drilling System**

Drilled Hole diameter 296 mm

Casing Size 273mm O/D x 260 mm I/D

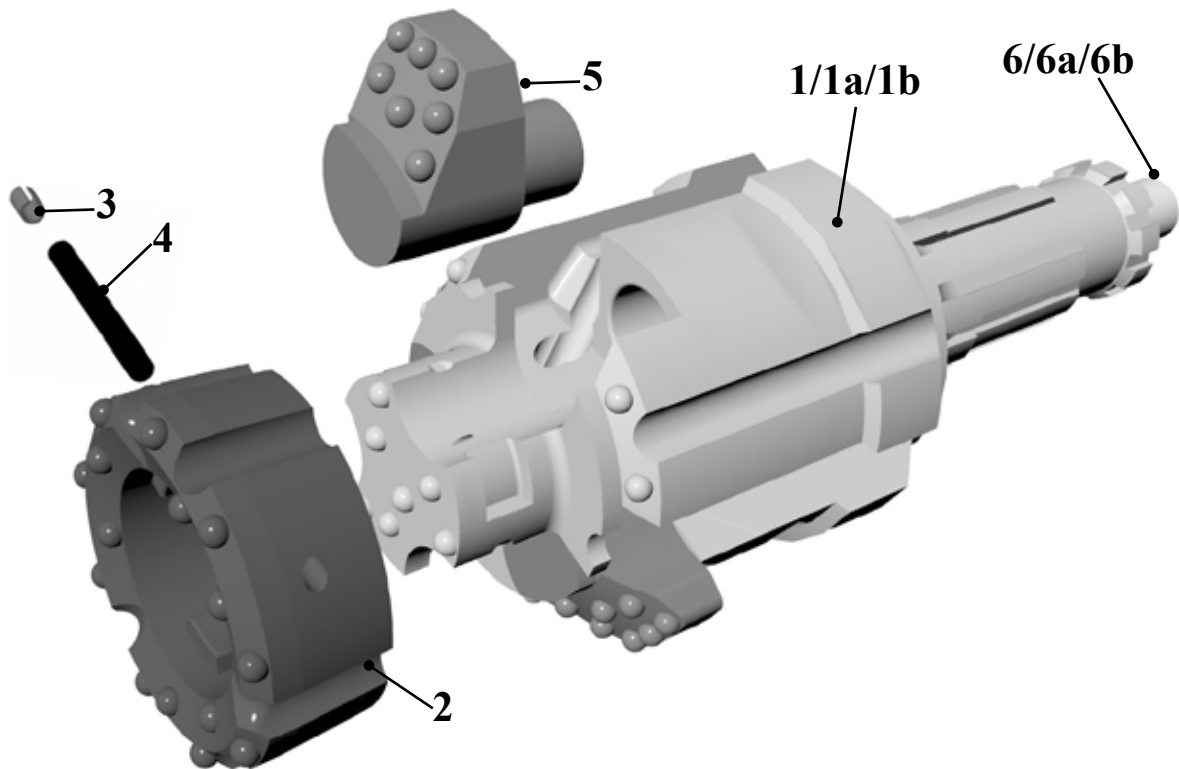
# Stable-X 240RS

## Ground Stable Concentric Drilling System

The Stable-X 240RS is a concentric overburden drilling system designed for the continuous casing of a 296mm diameter hole, through loose overburden materials down into solid bedrock with minimal disturbance to sub structures and existing foundations using Bulroc's new air flow system which vacuums the cuttings away from the drilling face. It directs the exhaust air from the hammer so only a minimum amount of air can travel forward into the ground.

The Stable-X 240RS comprises the Driver, which is available for drilling with most 8" hammers, together with a replaceable Ring Bit and three replaceable Segments.

At the start of the drilling operation, the Segments are in the closed position to allow the system to pass through the casing shoe. When drilling commences, the Segments should be in the open position ready to drill a hole size of 296mm. When the hole is completed the system can be withdrawn through the casing by reverse rotating, effectively closing the segments within the diameter of the body.



SPECIFICATIONS	
Description	Metric
Major Body Diameter	256 mm
Length (less Foot Valve DHD380)	745 mm
Length (less Foot Valve SD8)	740 mm
Length (less Foot Valve QL80)	720 mm
System Open	296 mm
Casing Size	273mm OD x 260mm ID
Total Weight DHD380 Shank	136 Kg
Total Weight SD8 Shank	135 Kg
Total Weight QL80 Shank	136 Kg

COMPONENT PARTS		
Ref	Description	Part No.
1	Driver (DHD380)	CDS240DH094RS
1a	Driver (SD8)	CDS240DH045RS
1b	Driver (QL80)	CDS240DH108RS
2	Ring Bit	CDS240RRING
3	Seloc Pin Set	CDS240RSP
4	Solid Retaining Pin	CDS240RRP
5	Segments (3)	CDS240RSEG
6	Foot Valve (DHD380)	BBF094
6a	Foot Valve (SD8)	BBF045
6b	Foot Valve (QL80)	BBF108
	Complete System	CDS240094RS CDS240045RS CDS240108RS