

BULROC CDS745

CONCENTRIC OVERBURDEN DRILLING SYSTEM

Drilled Hole Dia 840mm

Casing Size 813mm O/D x 780mm I/D

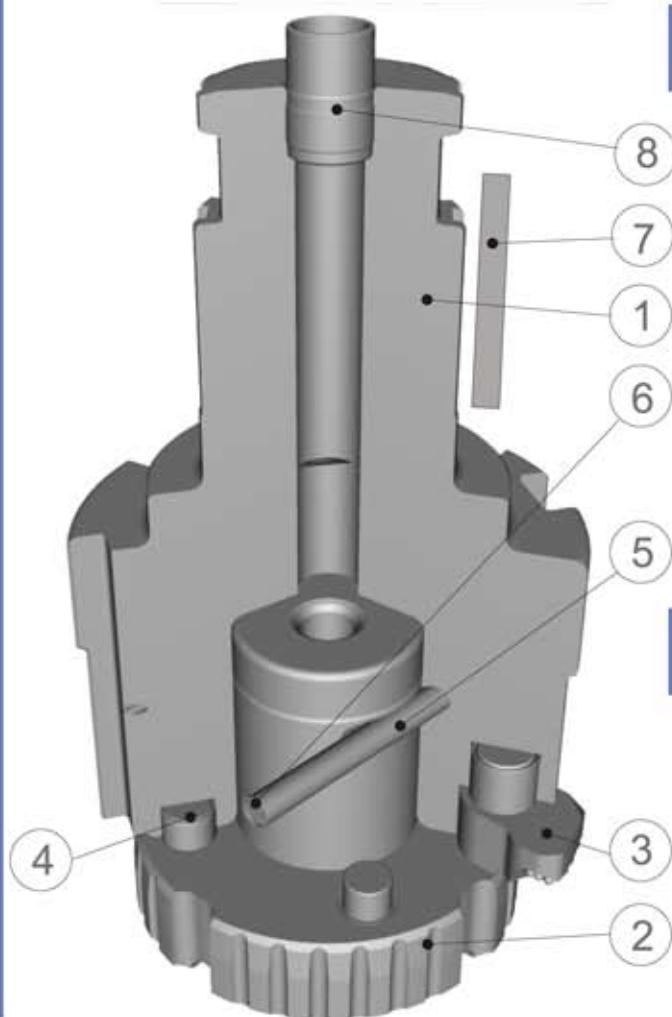
CDS 745

Concentric Overburden Drilling System

The CDS745 is a Concentric Overburden Drilling System designed for the continuous casing of a 840mm diameter hole, through loose overburden materials down into solid bedrock. The CDS745 comprises the Driver, which is available for drilling with 24" hammers, together with a replaceable Pilot Bit and 4 replaceable Segments. The current CDS models have now the option to be supplied with a replaceable Drive Shoulder.

At the start of the drilling operation, the Segments are in the closed position to allow the System to pass through the casing shoe. When drilling commences, the Segments swing out to drill a hole of 840mm.

The CDS745 can be withdrawn through the casing by rotating the System anti clockwise against the solid base of the hole. If there is no solid base, the System can be closed by pulling up against the casing shoe and rotating anti clockwise.



COMPONENT PARTS

Ref	Description	Part No.
1	Driver	CDS745DH240
2	Pilot Bit	CDS745BBCCHS
3	Segments (4)	CDS745SEG
4	Drive Pins (4)	CDS745DP
5	Retaining Pins (2)	CDS745RP
6	Retaining Pin Circlips (2)	CDS745CP
7	Drive Plates (N240)	DP240
8	Footvalve (N240)	BBF240
	System Complete	CDS745240

SPECIFICATION

Description	Metric
Major Body Diameter	775.5mm
Length (less footvalve)	1383mm
System Closed	746mm
System Open	840mm
Casing Size	813mm O/D x 780mm I/D
Total Weight N240 Shank	2900kgs