

# BULROC ODS 115W

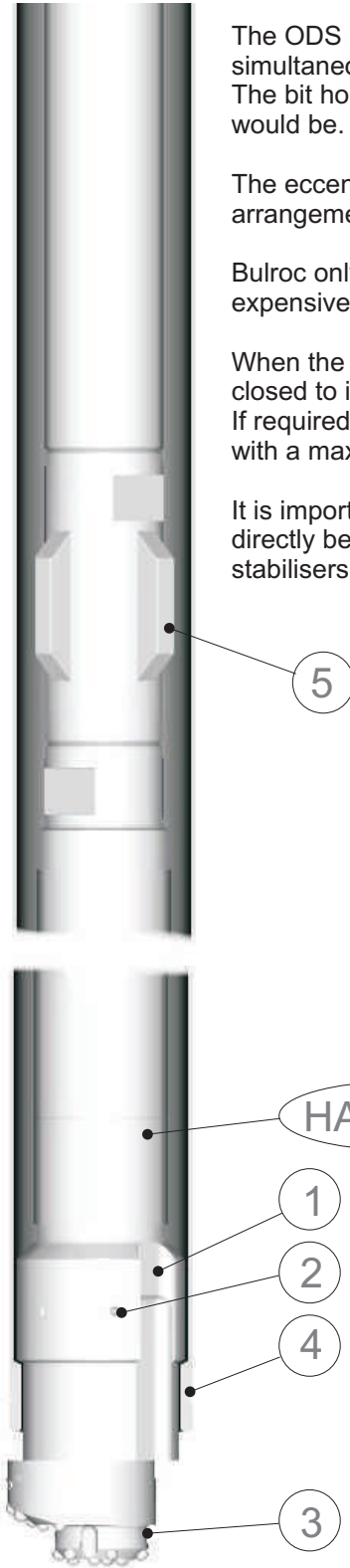
ECCENTRIC OVERBURDEN DRILLING SYSTEM

Drilled Hole Dia 155mm

Casing Size 139.7mm O/D x 127mm I/D

# ODS 115W

## Eccentric Overburden Drilling System



The ODS 115W is a two part eccentric overburden drilling system designed for the simultaneous installation of casings to support unstable ground conditions. The bit holder is fitted into the hammer in the same way as a conventional button bit would be.

The eccentric button bit is locked into the bit holder by means of a double 'Seloc' pin arrangement which can be removed when the bit needs either regrinding or replacing.

Bulroc only supply threaded casings but the system can also be used with less expensive welded casings when the casing is required to be left in the hole.

When the ODS 115W has been drilled to the required depth, the eccentric bit can be closed to its concentric position, and the complete system withdrawn from the casing. If required, it is then possible to drill on into solid rock using a conventional button bit with a maximum diameter of 115mm.

It is important to make sure that a stabiliser of the correct dimensions is positioned directly behind the hammer. On deep angled holes, it is recommended that further stabilisers are positioned after 10m of drill tube.

## COMPONENT PARTS

Ref	Description	Part No.
1	Bit Holder DHD340A / COP 44	ODC115BH091W
	Bit Holder SD4	ODC115BH042W
2	Locking Pin Set	ODS115PC
3	Eccentric Bit	ODC115BBSTHS
4	Starter Casing, Pin up (complete with shoe)	ODS115SC91135M
5	Stabiliser Sub	ODS115SL12201MF
	System Complete DHD340A	ODC11512
	System Complete SD4	ODC11508

\* Complete system comprises Bit Holder, Eccentric Bit and Locking Pin

## SPECIFICATION

Description	Metric
Bit Holder O/D	124.5mm
System Closed	115mm
System Open	155mm
Casing Size	139.7mm O/D x 127mm I/D
Total System Weight	31.5kgs