

BULROC ODS 160

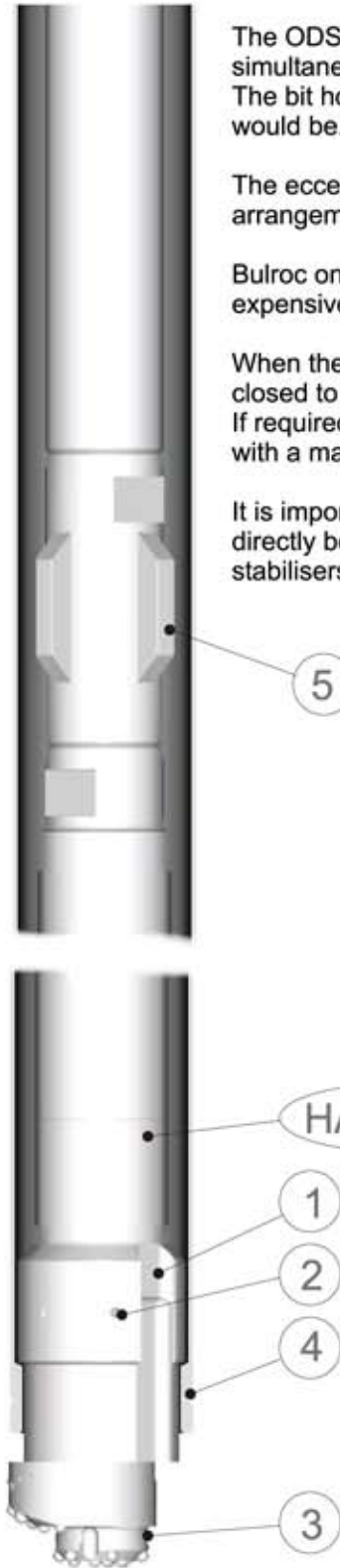
ECCENTRIC OVERBURDEN DRILLING SYSTEM

Drilled Hole Dia 215mm

Casing Size 193.7mm O/D x 174mm I/D

ODS 160

Eccentric Overburden Drilling System



The ODS 160 is a two part eccentric overburden drilling system designed for the simultaneous installation of casings to support unstable ground conditions. The bit holder is fitted into the hammer in the same way as a conventional button bit would be.

The eccentric button bit is locked into the bit holder by means of a double 'Seloc' pin arrangement which can be removed when the bit needs either regrinding or replacing.

Bulroc only supply threaded casings but the system can also be used with less expensive welded casings when the casing is required to be left in the hole.

When the ODS 160 has been drilled to the required depth, the eccentric bit can be closed to its concentric position, and the complete system withdrawn from the casing. If required, it is then possible to drill on into solid rock using a conventional button bit with a maximum diameter of 160mm.

It is important to make sure that a stabiliser of the correct dimensions is positioned directly behind the hammer. On deep angled holes, it is recommended that further stabilisers are positioned after 10m of drill tube.

COMPONENT PARTS

| Ref | Description | Part No. |
|-----|------------------------|-----------------|
| 1 | Bit Holder DHD360 | ODC160BH093 |
| | Bit Holder SD6 | ODC160BH044 |
| 2 | Locking Pin Set | ODS160PC |
| 3 | Eccentric Bit | ODC160BBSTHS |
| 4 | Casing Shoe | ODS160CSP |
| 5 | Stabiliser | ODS160SL17203MF |
| | | |
| | | |
| | System Complete DHD360 | ODC16003 |
| | System Complete SD6 | ODC16005 |

* Complete system comprises Bit Holder, Eccentric Bit and Locking Pin

SPECIFICATION

| Description | Metric |
|---------------------|-------------------------|
| Bit Holder O/D | 178mm |
| System Closed | 160mm |
| System Open | 215mm |
| Casing Size | 193.7mm O/D x 174mm I/D |
| Total System Weight | 75kgs |