

# BULROC ODS 165

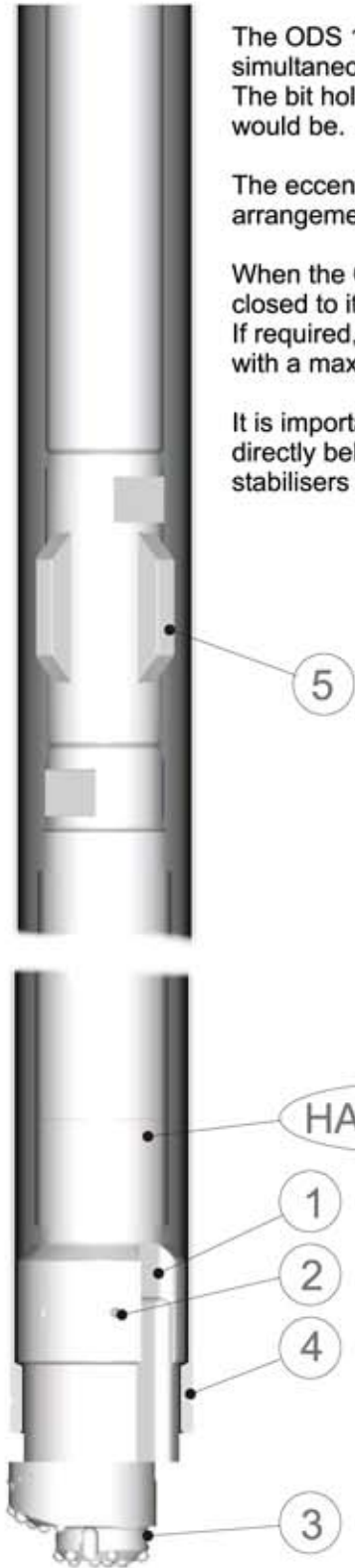
ECCENTRIC OVERBURDEN DRILLING SYSTEM

Drilled Hole Dia 215mm

Casing Size 193.7mm O/D x 181mm I/D

# ODS 165

## Eccentric Overburden Drilling System



The ODS 165 is a two part eccentric overburden drilling system designed for the simultaneous installation of casings to support unstable ground conditions. The bit holder is fitted into the hammer in the same way as a conventional button bit would be.

The eccentric button bit is locked into the bit holder by means of a double 'Seloc' pin arrangement which can be removed when the bit needs either regrinding or replacing.

When the ODS 165 has been drilled to the required depth, the eccentric bit can be closed to its concentric position, and the complete system withdrawn from the casing. If required, it is then possible to drill on into solid rock using a conventional button bit with a maximum diameter of 165mm.

It is important to make sure that a stabiliser of the correct dimensions is positioned directly behind the hammer. On deep angled holes, it is recommended that further stabilisers are positioned after 10m of drill tube.

## COMPONENT PARTS

Ref	Description	Part No.
1	Bit Holder DHD360	ODC165BH093
	Bit Holder SD6	ODC165BH044
2	Locking Pin Set	ODS165PC
3	Eccentric Bit	ODC165BBSTHS
4	Casing Shoe	ODS165CSP
5	Stabiliser	ODS165SL17203MF
	System Complete DHD360	ODC16503
	System Complete SD6	ODC16505

\* Complete system comprises Bit Holder, Eccentric Bit and Locking Pin

## SPECIFICATION

Description	Metric
Bit Holder O/D	178mm
System Closed	166mm
System Open	215mm
Casing Size	193.7mm O/D x 181mm I/D
Total System Weight	75kgs