

BULROC ODS 235

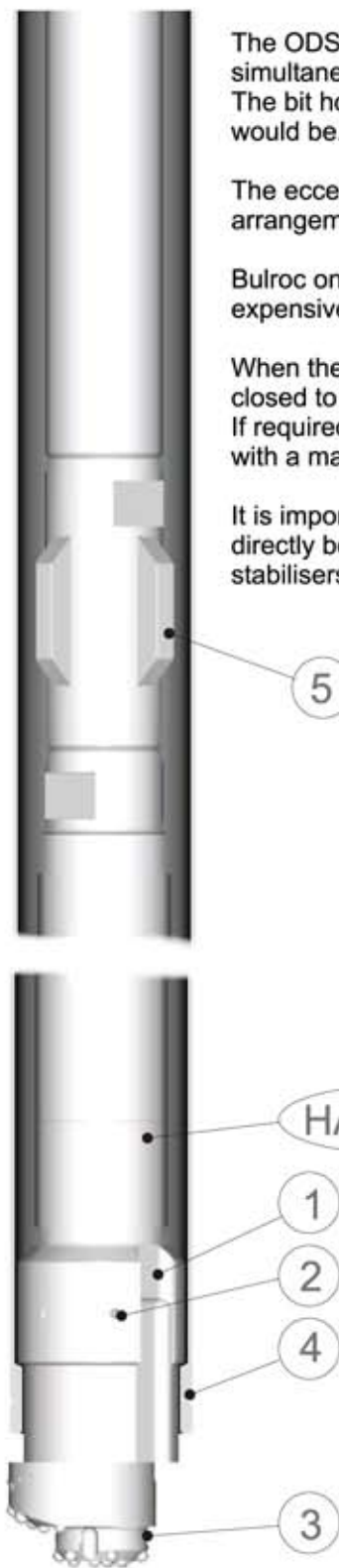
ECCENTRIC OVERBURDEN DRILLING SYSTEM

Drilled Hole Dia 310mm

Casing Size 273mm O/D x 254.5mm I/D

ODS 235

Eccentric Overburden Drilling System



The ODS 235 is a two part eccentric overburden drilling system designed for the simultaneous installation of casings to support unstable ground conditions. The bit holder is fitted into the hammer in the same way as a conventional button bit would be.

The eccentric button bit is locked into the bit holder by means of a double 'Seloc' pin arrangement which can be removed when the bit needs either regrinding or replacing.

Bulroc only supply threaded casings but the system can also be used with less expensive welded casings when the casing is required to be left in the hole.

When the ODS 235 has been drilled to the required depth, the eccentric bit can be closed to its concentric position, and the complete system withdrawn from the casing. If required, it is then possible to drill on into solid rock using a conventional button bit with a maximum diameter of 235mm.

It is important to make sure that a stabiliser of the correct dimensions is positioned directly behind the hammer. On deep angled holes, it is recommended that further stabilisers are positioned after 10m of drill tube.

COMPONENT PARTS

Ref	Description	Part No.
1	Bit Holder DHD380	ODC235BH094
	Bit Holder SD8	ODC235BH045
2	Locking Pin Set	ODS235PC
3	Eccentric Bit	ODC235BBSTHS
4	Casing Shoe	ODS235CSP
5	Stabiliser	ODS235SL25004MF
	System Complete DHD380	ODC23501
	System Complete SD8	ODC23503

* Complete system comprises Bit Holder, Eccentric Bit and Locking Pin

SPECIFICATION

Description	Metric
Bit Holder O/D	256mm
System Closed	241.3mm
System Open	310mm
Casing Size	273mm O/D x 260mm I/D
Total System Weight	170kgs