

BULROC ODS 240

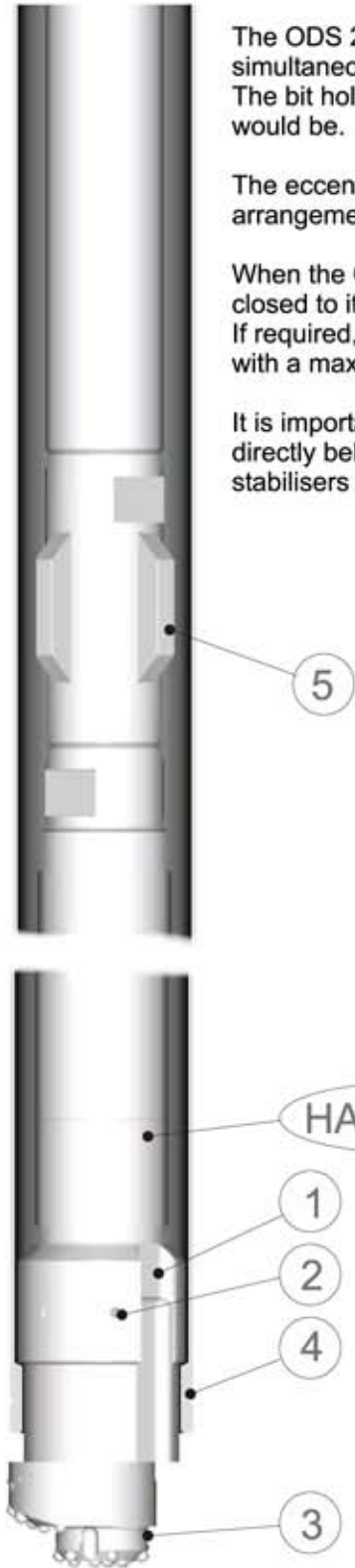
ECCENTRIC OVERBURDEN DRILLING SYSTEM

Drilled Hole Dia 310mm

Casing Size 273mm O/D x 260mm I/D

ODS 240

Eccentric Overburden Drilling System



The ODS 240 is a two part eccentric overburden drilling system designed for the simultaneous installation of casings to support unstable ground conditions. The bit holder is fitted into the hammer in the same way as a conventional button bit would be.

The eccentric button bit is locked into the bit holder by means of a double 'Seloc' pin arrangement which can be removed when the bit needs either regrinding or replacing.

When the ODS 240 has been drilled to the required depth, the eccentric bit can be closed to its concentric position, and the complete system withdrawn from the casing. If required, it is then possible to drill on into solid rock using a conventional button bit with a maximum diameter of 240mm.

It is important to make sure that a stabiliser of the correct dimensions is positioned directly behind the hammer. On deep angled holes, it is recommended that further stabilisers are positioned after 10m of drill tube.

COMPONENT PARTS

Ref	Description	Part No.
1	Bit Holder DHD380	ODC240BH094
	Bit Holder SD8	ODC240BH045
2	Locking Pin Set	ODS240PC
3	Eccentric Bit	ODC240BBSTHS
4	Casing Shoe	ODS240CSP
5	Stabiliser	ODS240SL25504MF
	System Complete DHD380	ODC24001
	System Complete SD8	ODC24003

* Complete system comprises Bit Holder, Eccentric Bit and Locking Pin

SPECIFICATION

Description	Metric
Bit Holder O/D	256mm
System Closed	241.3mm
System Open	310mm
Casing Size	273mm O/D x 260mm I/D
Total System Weight	170kgs