



Bulroc Hyper 301S
D.T.H HAMMER

Hyper 301S Valveless Hammer

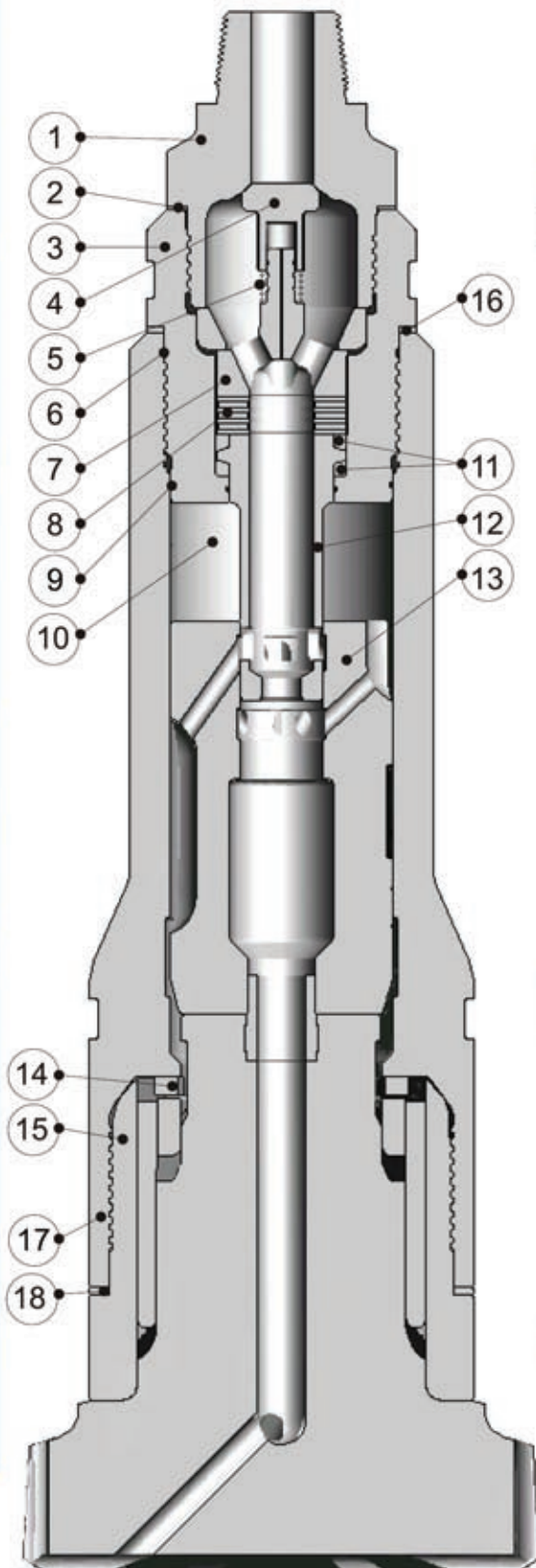
864mm (34") - 1090mm (43") dia. Holes

TECHNICAL SPECIFICATIONS

The Bulroc Hyper 301S hammer is a valveless DTH hammer designed to operate efficiently at pressures ranging from 7 to 12.06 bar (100 - 175 psi).

The Hyper 301S is supplied with an 10" beco pin backhead as standard but an 8^{5/8}" box backhead can be supplied. A positive seating check valve is fitted.

The Hyper 301S is supplied to suit the XL24 shank as standard.



COMPONENT PARTS

Ref	Description	Part Number
1	Backhead adaptor 10" Beco pin	HSH24138AD083M
2	Breakout washer (adaptor)	HSH24127
3	Backhead	HSH24138
4	Check valve	HSH24108
5	Check valve spring	HSH24110
6	Backhead 'O' ring	HSH24114A
7	Valve chest	HSH24104
8	Compression buffer	HSH24128
9	Backhead sealing 'O' ring	HSH241114B
10	Control tube 'O' ring	HSH2411514
11	Control tube buffers (2)	HSH24129
12	Control tube	HSH24130
13	Piston	HSH301S03XL24
14	Bit retaining ring	HSH301S37XL24
15	Chuck	HSH301S35XL24
16	Breakout washer (backhead)	HSH24125
17	Wearsleeve	HSH301S00
18	Breakout washer (chuck)	HSH301S26
Complete hammer		BR301SH01

HAMMER SPECIFICATIONS

	English	Metric
Weight (less bit)	8800lbs	4000kgs
Eff Length (less bit)	100"	2540mm
Outside dia.	29.3"	745mm
Bore dia.	17.7"	433mm
Piston weight	1400lbs	630kgs
Stroke	6"	152mm

AIR CONSUMPTION

PSI	BAR	C.F.M.	Cu. Mtr / min
100	6.9	2188	61.9
125	8.6	3059	86.6
150	10.3	4020	113.8
175	12.1	5066	143.4